



MICRO SWITCH

FREEPORT, ILLINOIS, U.S.A.
A DIVISION OF HONEYWELL

FED. MFG. CODE 91929

SWITCH-BASIC



CATALOG LISTING

V3-1

CK-A0100

5

V3-1

M

DRAWING NUMBER

1000

10023

ISSUE

100

VISIONS

CO20189
M B F
MAY 65

CO21688
B F
OCT 66

CO24941
B S
DEC 68

CO26075
A B S
AUG 69

CO
31509
D A W
JAN 73

CO
32395
GLH
AUG 73

CO
56987
SMA
OCT 85

CO74634

CO
MAY 93

FC-50378

DRAWN

M B F

6 MAY 65

5

REPLACES

RELEASE NO.

REPLACES

RELEASE NO.

CHECK PFK

18 MAY 65

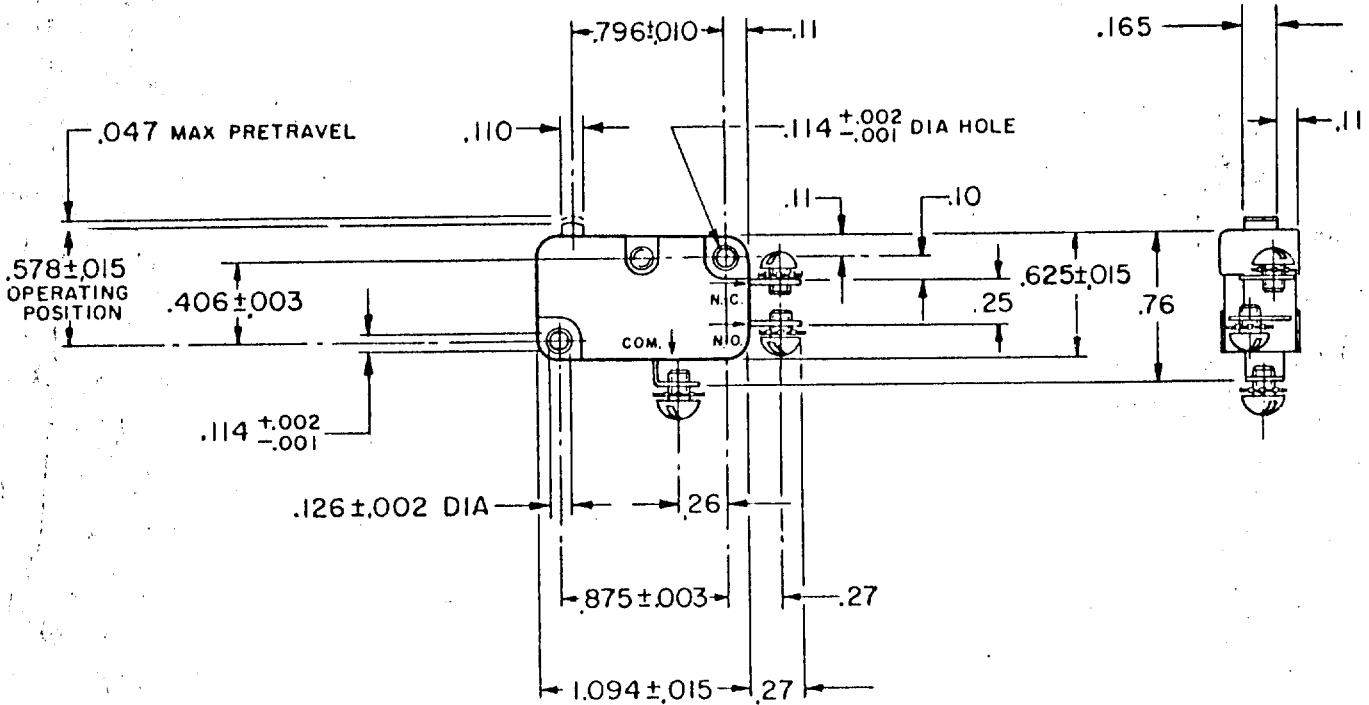
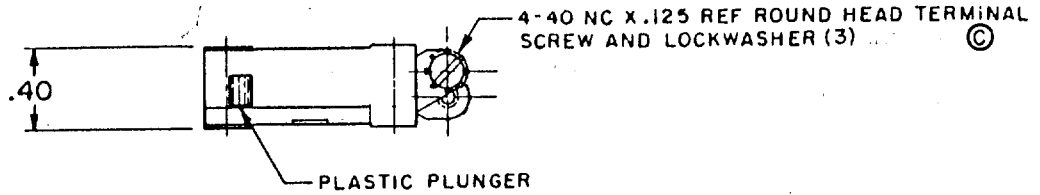
CHECK L S D

18 MAY 65

CHECK GCH

6 MAY 65

5



THIS DRAWING COVERS A PROPRIETARY ITEM AND IS THE PROPERTY OF MICRO SWITCH, A DIVISION OF HONEYWELL. THIS DRAWING IS NOT TO BE COPIED OR USED WITHOUT THE APPROVAL OF MICRO SWITCH.

CHARACTERISTICS

OPERATING FORCE	6-14 OZ
RELEASE FORCE	4 OZ MIN
DIFFERENTIAL TRAVEL	.006 - .016
OVERTRAVEL	.040 MIN
FREE POSITION	.625 MAX
RELEASE TRAVEL	.007 MIN

ELECTRICAL DATA

CONTACT ARRANGEMENT S P D T
L83 15.1A 1/2HP 125 OR 250 VAC 1/2A 125 VDC, 1/4A 250 VDC 5A 125 VAC "L"
Ⓜ Ⓢ

SCALE FULL

DO NOT SCALE PRINT	
UNLESS OTHERWISE NOTED	
DIMENSIONS ARE IN INCHES	
TOLERANCES ARE:	
ONE PLACE (.0)	±.030
TWO PLACE (.00)	±.015
THREE PLACE (.000)	±.005
ANGLES	±
WEIGHT .017 LB	